

Kalì Wall

DESIGN | PAOLO CASTELLI



Finishes of the above picture



Metal Finish
Matt Gold



Muranese glass with
24KTgolden leaf
powder

Kalì vanta una lavorazione creata interamente sulla isola di Murano da storici artigiani. Della linea fa parte anche questa versione applique, realizzata con due bracci in metallo finitura oro opaco che sorreggono elementi in vetro di Murano con foglia d'oro 24 KT all'interno, in dispersione.

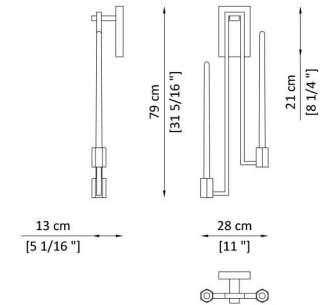
Kalì is the result of an artisan handcraft totally made in Murano island. Wall version of Kalì chandelier is also part of this collection. It is realised with a metal hand with matt gold finish bearing two Murano glass elements enclosing 24 KT golden leaf.

KALI' WALL

TECHNICAL SHEET

KALI' WALL

Light source: 2 spot led x 2 W
Total power: 4W
Voltage: 230 V
Rated luminous flux: 300 Lm
Colour temperature: 3000° K
Colour rendering index: Ra80
Dimmer function: No
Weight: Kg 8
Package size: 80 x 40 x 40 cm
Package weight: Kg 15



KALI' WALL | ILL.KALI.500

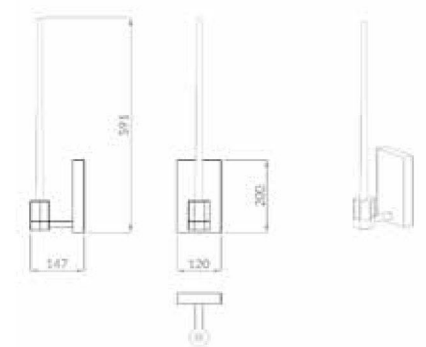
Metal structure mat gold
Muranese glass with 24KTgolden leaf powder

KALI' WALL SINGLE

TECHNICAL SHEET

KALI' WALL SINGLE

Light source: 2 spot led
Total power: 2W
Voltage: 230 V
Rated luminous flux: 150 Lm
Colour temperature: 3000° K
Colour rendering index: Ra80
Dimmer function: No
Weight: Kg 4
Package size: 40 x 40 x 40 cm
Package weight: Kg 10



KALI' WALL SINGLE | ILL.KALI.510

Metal structure mat gold
Muranese glass with 24KTgolden leaf powder

